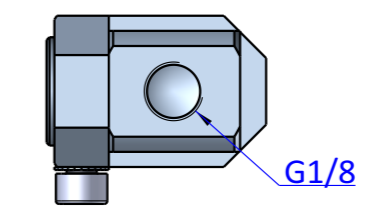
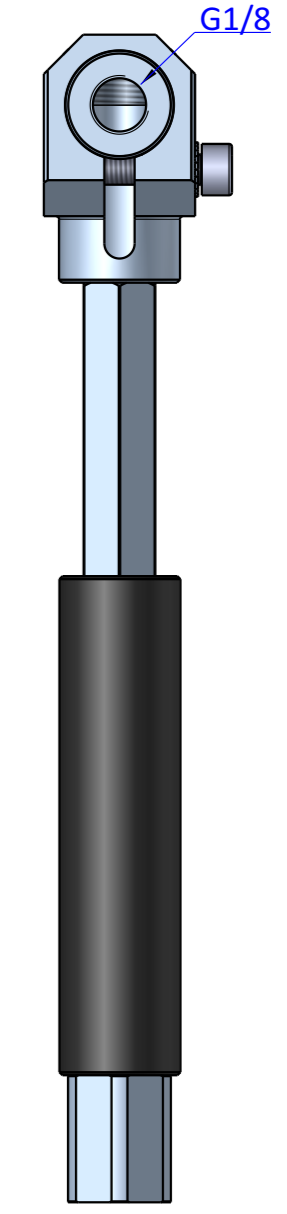
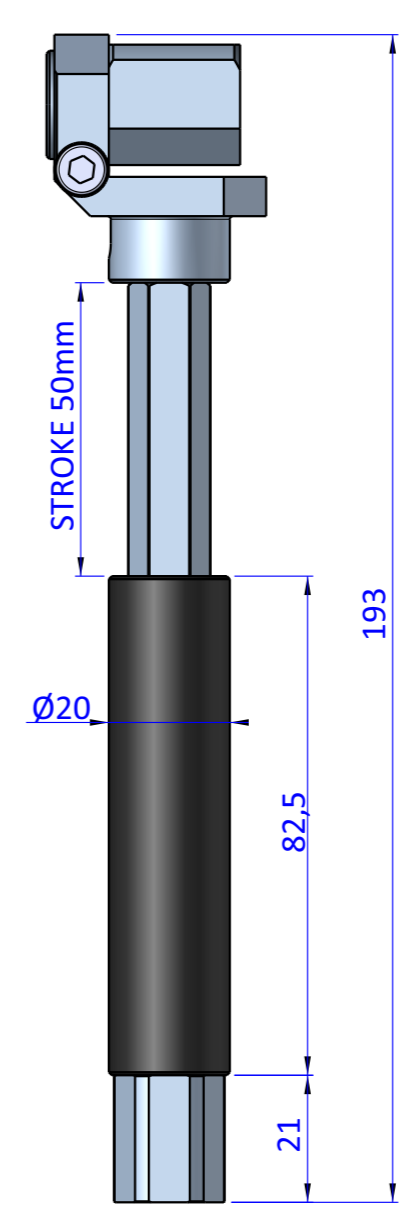
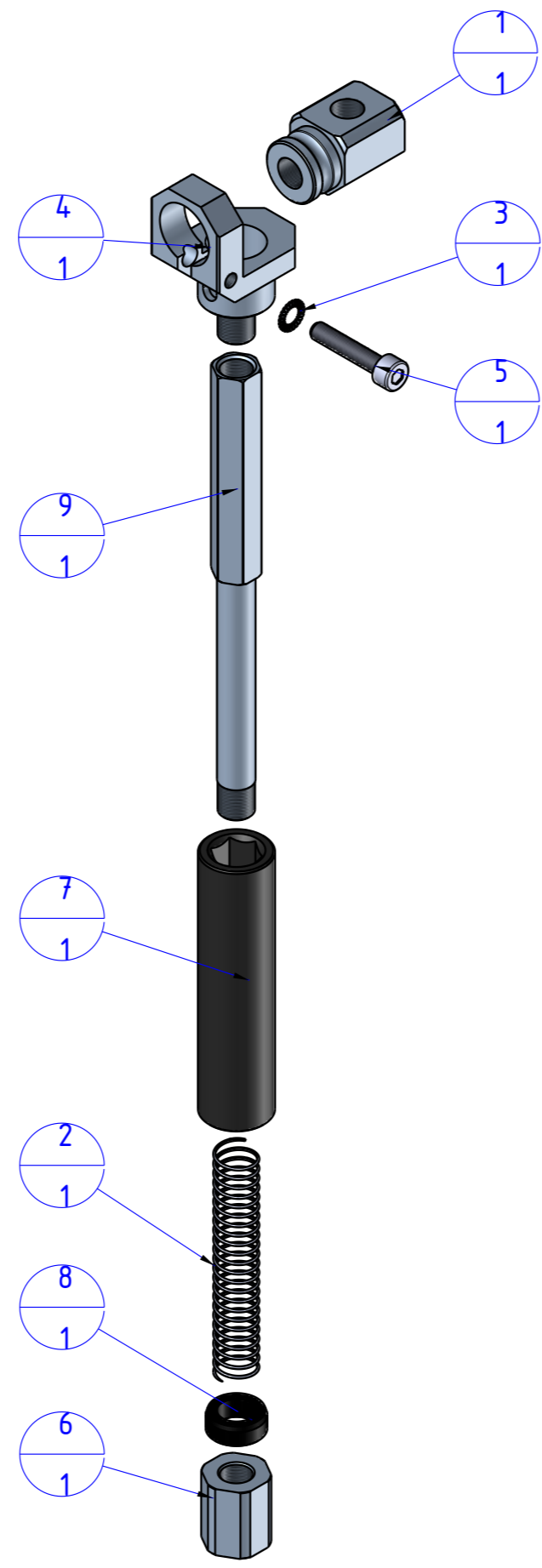



THE PROPERTY OF THE DRAWING IS ESTABLISHED BY LAW. IT IS FORBIDDEN TO PRODUCE OR SHOW IT TO THIRD PART. WITHOUT A WRITTEN AGREEMENT.

Item	Name	Q.ty
1	GGB.20.18.18	1
2	M.12X81.5	1
3	R.5.SCH	1
4	SSN.20251418.1	1
5	V.TCE5x25	1
6	VSN.20.1	1
7	VSN.2050.2.1	1
8	VSN.2050.3	1
9	VSN.2050.4	1



Format A3
UNI 936-76

 FPS FPSERVICES AUTOMATION		DESIGNED FROM		REVIEW
		FPS Automation		A
GENERAL TOLERANCE		DATE	WEIGHT	
UNI - ISO 2768		16/09/2020	0,122kg	
CLASSE f		DESCRIPTION	CODE	
		CA.SSN.20501818	CA.SSN.20501818	